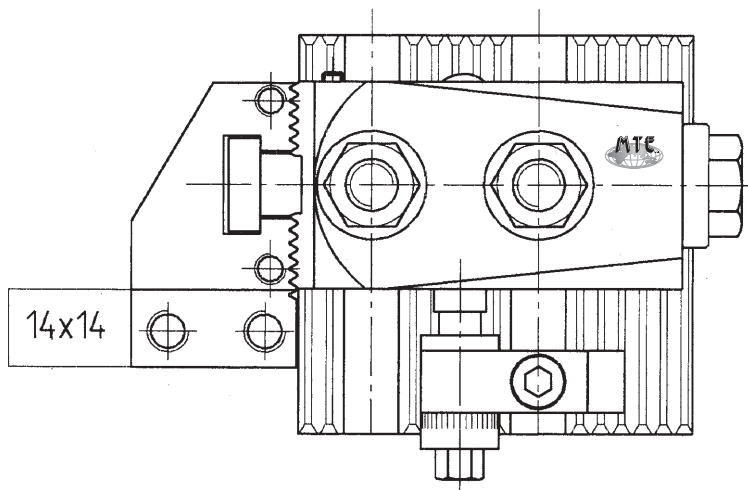
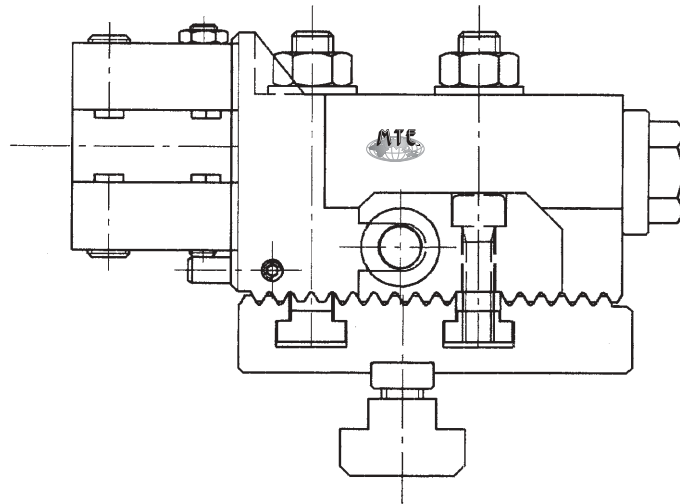
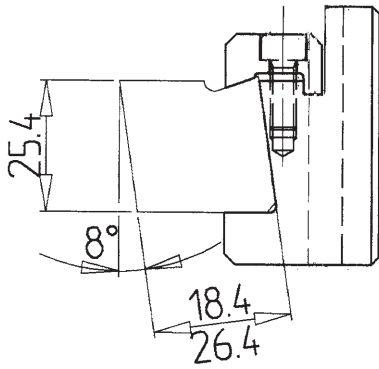




MACHINE TOOLS EQUIPMENTS

168

WERKZEUGHALTER FÜR INDEX **D**
PORTAUTENSILE BARRETTA E PRISMATICO **I**
TOOLHOLDER TEST BAR AND PRISMATIC **GB/USA**
PORTE-OUTIL BARREAU ET PRISMATIQUE **F**
PORTAUTIL BARRA DE ENSAYO Y PRISMATICO **S**



INDEX

ARTICOLO ARTICLE	MACCHINA MACHINE
168.10.00	12-18-25
168.20.00	DG 12

A RICHIESTA ALTRE ATTREZZATURE/FURTHER EQUIPMENTS ON REQUEST

ARTICOLO ARTICLE	MACCHINA MACHINE
168.30.00	C19 - 29
168.40.00	B30 - 42 - 60

A RICHIESTA PER ALTRI TIPI DI MACCHINA - ON REQUEST FOR OTHER TYPES OF MACHINE