



MACHINE TOOLS EQUIPMENTS

122.2

UNTERBAU SPANNBLOCK FÜR SPANNZANGENAUFNAHME (LINKS) **D**

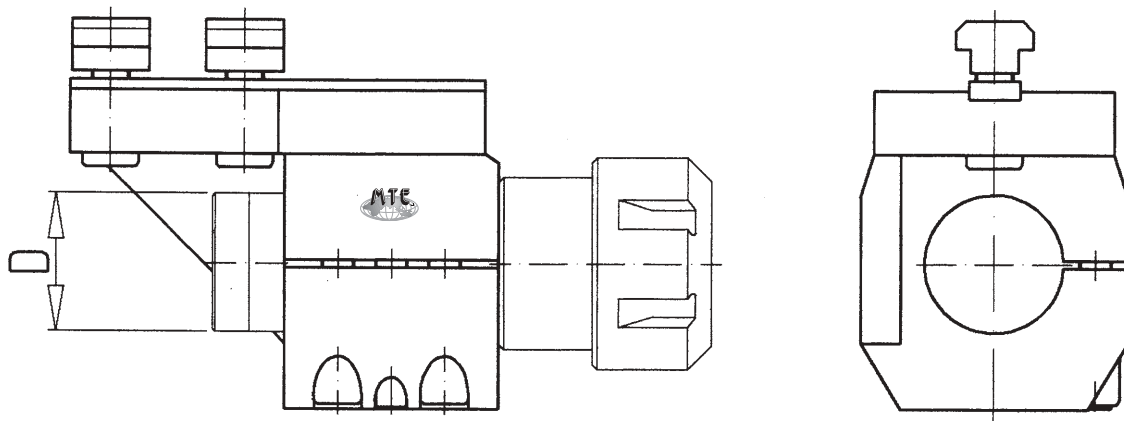
SUPPORTO SOSPESO COMPATTO "ACCIAIO" SX 5° POS **I**

SPRUNG COMPACT "STEEL" REST LF 5° POS **GB/USA**

SUPPORT SUSPENDU COMPACT "ACIER" GAUGHE 5° POS **F**

SOPORTE SUSPENDIDO COMPACTO ACERO IZDO 5° POS **S**

POS. 5°



WICKMAN

ARTICOLO ARTICLE	MACCHINA MACHINE	Ø D
122.10.20	5/8"	Ø 25.4
122.17.20	7/8" - 5 M	Ø 50.8
122.20.20	1"	Ø 44.45

A RICHIESTA ALTRE ATTREZZATURE/FURTHER EQUIPMENTS ON REQUEST

ARTICOLO ARTICLE	MACCHINA MACHINE	Ø D
122.30.20	1" 3/4-3/8	Ø 50.8
122.40.20	2" 1/4	Ø 50.8
122.41.20	2" 5/8	Ø 63.5
122.58.20	3" 1/4	Ø 63.5

A RICHIESTA PER ALTRI TIPI DI MACCHINA - ON REQUEST FOR OTHER TYPES OF MACHINE