



MACHINE TOOLS EQUIPMENTS

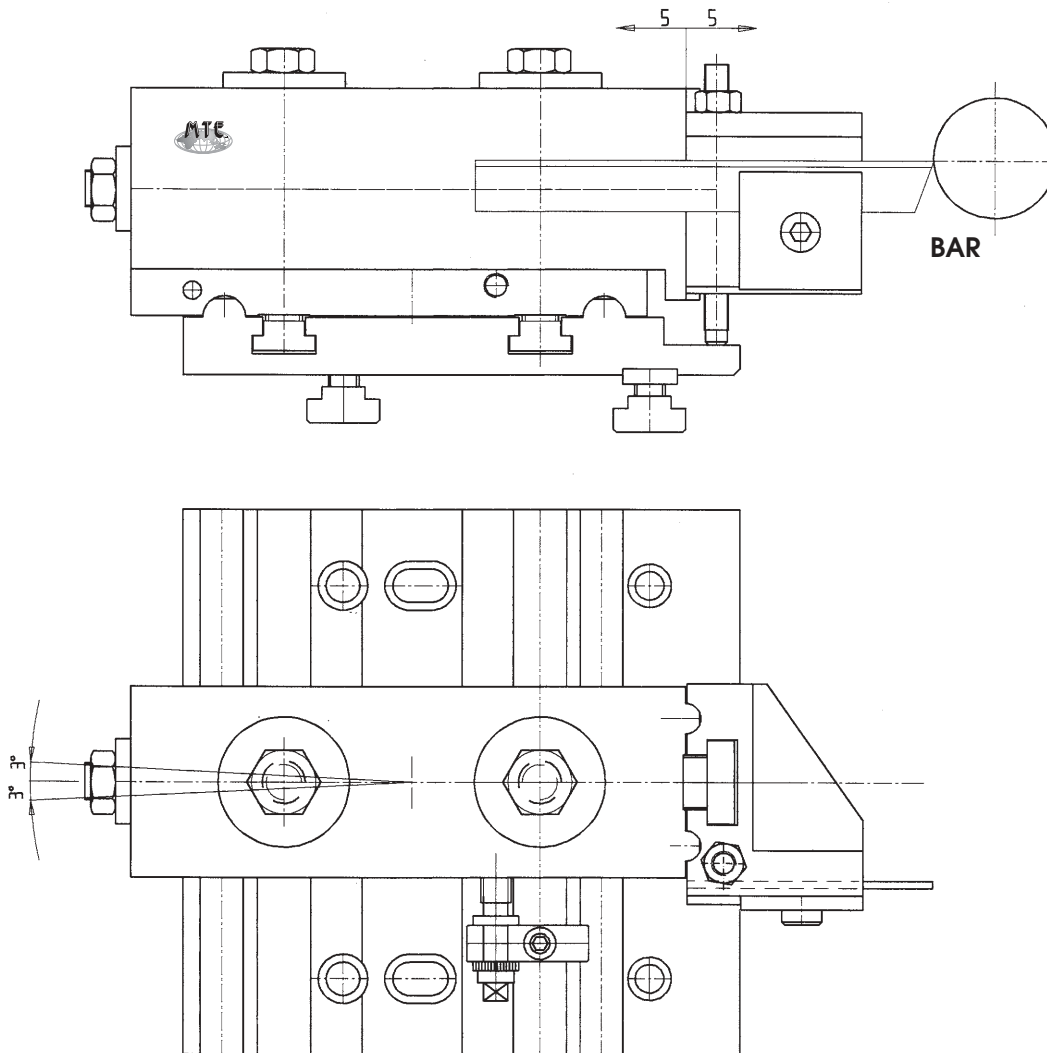
063

HÖHENEINSTELLBARER STECHSTAHLHALTER MIT RUNDER AUFNAHME
PORTAUTENSILE MODULARE CON REGOLAZIONE ASSIALE RADIALE DA TAGLIO
MODULAR TOOLHOLDER WITH AXIAL/RADIAL ADJUSTMENT BOX FOR CUTTING
PORTE-OUTIL MODULAIRE A REGLAGE AXIAL RADIAL PORTE-OUTIL POUR DECOUPE
PORTAUTIL MODULAR CON REGULACION AXIAL RADIAL PORTAUTILS DE CORTE

D
I
GB/USA
F
S

ONLY U.S.A. MARKET

**EMPIRE CUTTER
TRAPEZOIDAL CUTTER**



**TABELLA PAGINA SEGUENTE
TABLE NEXT PAGE**

A RICHIESTA PER ALTRI TIPI DI MACCHINA - ON REQUEST FOR OTHER TYPES OF MACHINE

A RICHIESTA ALTRE ATTREZZATURE/FURTHER EQUIPMENTS ON REQUEST

ARTICOLO ARTICLE	MACCHINA MACHINE	LAMA EMPIRE EMPIRE CUT.	LAMA TRAPEZOIDALE TRAPEZOIDAL CUTTER	
---------------------	---------------------	----------------------------	---	--

WICKMAN

063.10.00	5/8"	1.6x12	-	-
063.17.00	7/8" - 5 M	2.5x17	17x2x3-20x4x3	15x4x3
063.19.00	1" 3/4 - 5 M	2.5x17	17x2x3-20x4x3	15x4x3
063.20.00	1"	2.5x17	17x2x3-20x4x3	15x4x3
063.29.00	32 - 8	-	-	-
063.30.00	1" 3/4-3/8	2.5x17	17x2x3-20x4x3	15x4x3
063.38.00	1" 3/8 - 5 M	2.5x17	17x2x3-20x4x3	15x4x3
063.40.00	2" 1/4	3.2x22	17x2x3-20x4x3	15x4x3
063.41.00	2" 5/8	3.2x22	17x2x3-20x4x3	15x4x3
063.50.00	3" 1/2	3.2x22	17x2x3-20x4x3	15x4x3
063.58.00	3" 1/4	3.2x22	17x2x3-20x4x3	15x4x3

GILDEMEISTER

063.09.00	AS 12	1.6x12	-	-
063.11.00	AS 16 - GM 16	1.6x12	-	-
063.15.00	AS 20-GS 20-GM 20	1.6x12	-	-
063.18.00	AS 22 - AS 25	2.5x17	17x2x3-20x4x3	15x4x3
063.27.00	AA 32	2.5x17	17x2x3-20x4x3	15x4x3
063.31.00	AS 32	2.5x17	17x2x3-20x4x3	15x4x3
063.32.00	AS 40 - AS 48	2.5x17	17x2x3-20x4x3	15x4x3
063.36.00	AA 48	2.5x17	17x2x3-20x4x3	15x4x3
063.44.00	AS 55 - 67	3.2x22	17x2x3-20x4x3	15x4x3
063.47.00	GM 35 - GM 42	2.5x17	17x2x3-20x4x3	15x4x3
063.51.00	AA 67	3.2x22	17x2x3-20x4x3	15x4x3
063.56.00	GM 32	2.5x17	17x2x3-20x4x3	15x4x3
063.63.00	AS 63	3.2x22	17x2x3-20x4x3	15x4x3
063.69.00	GS 50 - 51	3.2x22	-	-
063.70.00	GM 26	2.5x17	-	-
063.82.00	AS 82	3.2x22	17x2x3-20x4x3	15x4x3
063.83.00	AS 100	3.2x22	17x2x3-20x4x3	15x4x3

MORI SAY - EUROTURNS

063.14.00	6/20	1.6x12	-	-
063.24.00	6/25 - 6/32	2.5x17	17x2x3-20x4x3	15x4x3
063.28.00	6/42	2.5x17	17x2x3-20x4x3	15x4x3
063.53.00	8/32	2.5x17	17x2x3	15x4x3
063.67.00	8/42	2.5x17	17x2x3	15x4x3

INDEX

063.13.00	MS 25	1.6x12	-	-
063.34.00	KS 25	2.5x17	17x2x3-20x4x3	15x4x3
063.35.00	KS 42	2.5x17	17x2x3-20x4x3	15x4x3
063.60.00	KS 18	2.5x17	17x2x3-20x4x3	15x4x3
063.61.00	KS 32	2.5x17	17x2x3-20x4x3	15x4x3
063.62.00	KS 50	2.5x17	17x2x3-20x4x3	15x4x3

ARTICOLO ARTICLE	MACCHINA MACHINE	LAMA EMPIRE EMPIRE CUT.	LAMA TRAPEZOIDALE TRAPEZOIDAL CUTTER	
---------------------	---------------------	----------------------------	---	--

SCHÜTTE

063.08.00	SF 13	1.6x12	17x2x3-20x4x3	15x4x3
063.21.00	SE 16 - SF 20	2.5x17	17x2x3-20x4x3	15x4x3
063.22.00	SE 25	2.5x17	17x2x3-20x4x3	15x4x3
063.23.00	SF 40 - SF 42	2.5x17	17x2x3-20x4x3	15x4x3
063.33.00	SD 25 - SD 32	2.5x17	17x2x3-20x4x3	15x4x3
063.42.00	SD 50	3.2x22	17x2x3-20x4x3	15x4x3
063.43.00	SD 63 - SD 80	3.2x22	17x2x3-20x4x3	15x4x3
063.46.00	SF 26 - SF 32	2.5x17	17x2x3-20x4x3	15x4x3
063.48.00	AD 40	2.5x17	17x2x3-20x4x3	15x4x3
063.49.00	SF 51	2.5x17	17x2x3-20x4x3	15x4x3
063.54.00	SF 67	3.2x22	17x2x3-20x4x3	15x4x3
063.55.00	SF 26 L	2.5x17	17x2x3-20x4x3	15x4x3
063.73.00	AG 20	1.6x12	17x2x3-20x4x3	15x4x3
063.81.00	SF 81	3.2x22	17x2x3-20x4x3	15x4x3
063.84.00	AF 42/51	3.2x22	17x2x3-20x4x3	15x4x3
063.85.00	AF 26/32	2.5x17	17x2x3-20x4x3	15x4x3

PITTLER

063.25.00	PRB 8/25	2.5x17	17x2x3-20x4x3	15x4x3
063.26.00	PRB 8/32 - PRC 6/32	2.5x17	17x2x3-20x4x3	15x4x3
063.37.00	DAM 6/50	3.2x22	17x2x3-20x4x3	15x4x3
063.39.00	DAM 8/32	2.5x17	17x2x3-20x4x3	15x4x3
063.45.00	PRB 6/50 - PRC 6/50	2.5x17	17x2x3-20x4x3	15x4x3
063.52.00	PRB 36/6	2.5x17	17x2x3-20x4x3	15x4x3
063.64.00	PRC 36/6	2.5x17	17x2x3-20x4x3	15x4x3
063.65.00	DAM 6/32	2.5x17	17x2x3-20x4x3	15x4x3
063.71.00	PRC 100/4-72/6-50/8	2.5x17	17x2x3-20x4x3	15x4x3

BSA

063.59.00	2"	2.5x17	17x2x3-20x4x3	15x4x3
063.68.00	2" 1/4	2.5x17	17x2x3-20x4x3	15x4x3

ACME GRIDLEY

063.12.00	16 m/m	1.6x12	17x2x3-20x4x3	15x4x3
063.57.00	1" 1/4 - 6 M	2.5x17	17x2x3-20x4x3	15x4x3
063.74.00	1" 5/8	2.5x17	17x2x3-20x4x3	15x4x3

TOS / AN

063.88.00	6/25 A	2.5x17	17x2x3-20x4x3	15x4x3
063.89.00	6/40 A	2.5x17	17x2x3-20x4x3	15x4x3
063.90.00	6/63 A	2.5x17	17x2x3-20x4x3	15x4x3

AVAILABLE

EMPIRE CUTTER: 17x1.6 - 17x2 - 17x3 - 17x4 - 22x4 - 22x5 - 22x6