



MACHINE TOOLS EQUIPMENTS

061

AXIAL/RADIAL EINSTELLBARER WERKZEUGHALTER MIT PRISMATISCHER STIRNKLEMMUNG
PORTAUTENSILE MODULARE CON REGOLAZIONE ASSIALE RADIALE PRISMATICI PIATTI
MODULAR TOOLHOLDER WITH AXIAL/RADIAL ADJUSTMENT BOX ANGLE-PLATE
PORTE-OUTIL MODULAIRE A REGLAGE AXIAL RADIAL PORTE-OUTIL PRISMATIQUE PLAT
PORTAUTIL MODULAR CON REGULACION AXIAL RADIAL PORTAUTILES PRISMATICOS PLANOS

D
I
GB/USA
F
S

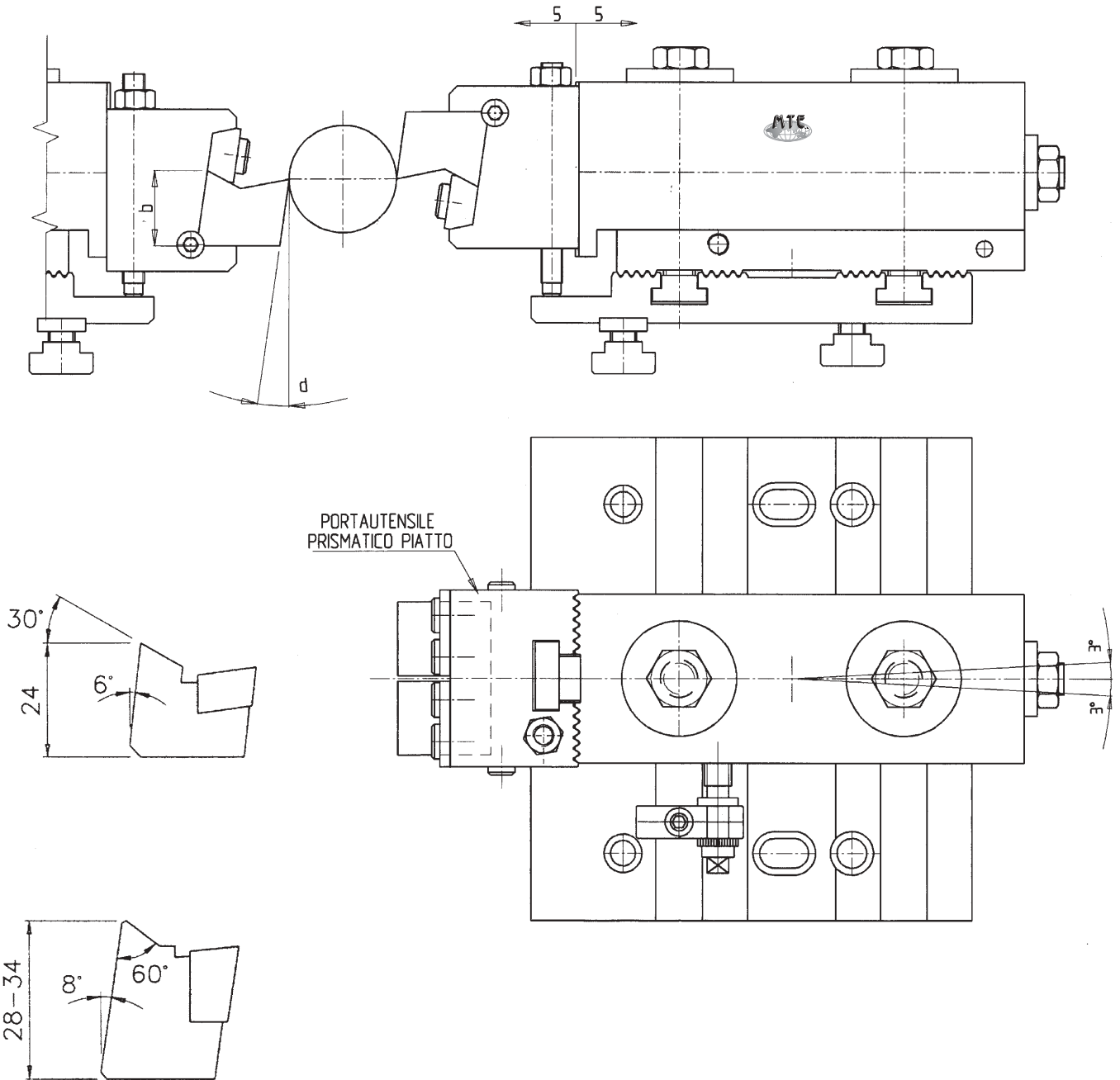


TABELLA PAGINA SEGUENTE

TABLE NEXT PAGE

A RICHIESTA PER ALTRI TIPI DI MACCHINA - ON REQUEST FOR OTHER TYPES OF MACHINE

A RICHIESTA ALTRE ATTREZZATURE/FURTHER EQUIPMENTS ON REQUEST

ARTICOLO ARTICLE	MACCHINA MACHINE	d	UTENSILE b TOOLS b
WICKMAN			
061.10.00	5/8"	6°	24.5
061.17.00	7/8" - 5 M	8°	28
061.19.00	1" 3/4 - 5 M	8°	34
061.20.00	1"	8°	28
061.29.00	32 - 8	8°	34
061.30.00	1" 3/4-3/8	8°	34
061.38.00	1" 3/8 - 5 M	8°	34
061.40.00	2" 1/4	8°	34
061.41.00	2" 5/8	8°	34
061.50.00	3" 1/2	8°	34
061.58.00	3" 1/4	8°	34
GILDEMEISTER			
061.09.00	AS 12	6°	24
061.11.00	AS 16 - GM 16	6°	24
061.15.00	AS 20 - GS 20 - GM 20	6°	24
061.18.00	AS 22 - AS 25	8°	34
061.27.00	AA 32	8°	34
061.31.00	AS 32	8°	34
061.32.00	AS 40 - AS 48	8°	34
061.36.00	AA 48	8°	34
061.44.00	AS 55 - 67	8°	34
061.47.00	GM 35 - GM 42	8°	34
061.51.00	AA 67	8°	34
061.56.00	GM 32	8°	34
061.63.00	AS 63	8°	34
061.69.00	GS 50 - 51	8°	34
061.70.00	GM 26	8°	24
061.82.00	AS 82	8°	34
061.83.00	AS 100	8°	34
MORI SAY - EUROTURN			
061.14.00	6/20	6°	24
061.24.00	6/25 - 6/32	8°	28
061.28.00	6/42	8°	34
061.53.00	8/32	8°	34
061.67.00	8/42	8°	34
INDEX			
061.13.00	MS 25	6°	24
061.34.00	KS 25	8°	34
061.35.00	KS 42	8°	34
061.60.00	KS 18	8°	34
061.61.00	KS 32	8°	34
061.62.00	KS 50	8°	34

ARTICOLO ARTICLE	MACCHINA MACHINE	d	UTENSILE b TOOLS b
SCHÜTTE			
061.08.00	SF 13	6°	24
061.21.00	SE 16 - SF 20	6°	28
061.22.00	SE 25	6°	28
061.23.00	SF 40 - SF 42	8°	34
061.33.00	SD 25 - SD 32	8°	28
061.42.00	SD 50	8°	34
061.43.00	SD 63 - SD 80	8°	34
061.46.00	SF 26 - SF 32	6°	24
061.48.00	AD 40	8°	34
061.49.00	SF 51	8°	34
061.54.00	SF 67	6°	34
061.55.00	SF 26 L	8°	28
061.73.00	AG 20	6°	24
061.81.00	SF 81	8°	34
061.84.00	AF 42/51	8°	34
061.85.00	AF 26/32	8°	28/34
PITTLER			
061.25.00	PRB 8/25	8°	34
061.26.00	PRB 8/32 - PRC 6/32	8°	34
061.37.00	DAM 6/50	8°	34
061.39.00	DAM 8/32	8°	34
061.45.00	PRB 6/50 - PRC 6/50	8°	34
061.52.00	PRB 36/6	8°	34
061.64.00	PRC 36/6	8°	34
061.65.00	DAM 6/32	8°	34
061.71.00	PRC 100/4-72/6-50/8	8°	34
BSA			
061.59.00	2"	6°	28
061.68.00	2" 1/4	8°	34
ACME GRIDLEY			
061.12.00	16 m/m	6°	24
061.57.00	1" 1/4 - 6 M	8°	34
061.74.00	1" 5/8	8°	34
TOS / AN			
061.88.00	6/25 A	8°	34
061.89.00	6/40 A	8°	34
061.90.00	6/63 A	8°	34