



MACHINE TOOLS EQUIPMENTS

049

AXIAL/RADIAL EINSTELLBARER WERKZEUGHALTER  
MIT SEITENKLEMMUNG

D

PORTAUTENSILE MODULARE CON REGOLAZIONE ASSIALE RADIALE  
PORTAUTENSILI A BARRETTA

I

MODULAR TOOLHOLDER WITH AXIAL/RADIAL ADJUSTMENT  
BOX ANGLE-PLATE, BAR-TYPE TOOLHOLDER

GB/USA

PORTE-OUTIL MODULAIRE A REGLAGE AXIAL RADIAL  
PORTE-OUTIL A BARRE

F

PORTAUTIL MODULAR CON REGULACION AXIAL RADIAL  
PORTAUTILES CON BARRA

S

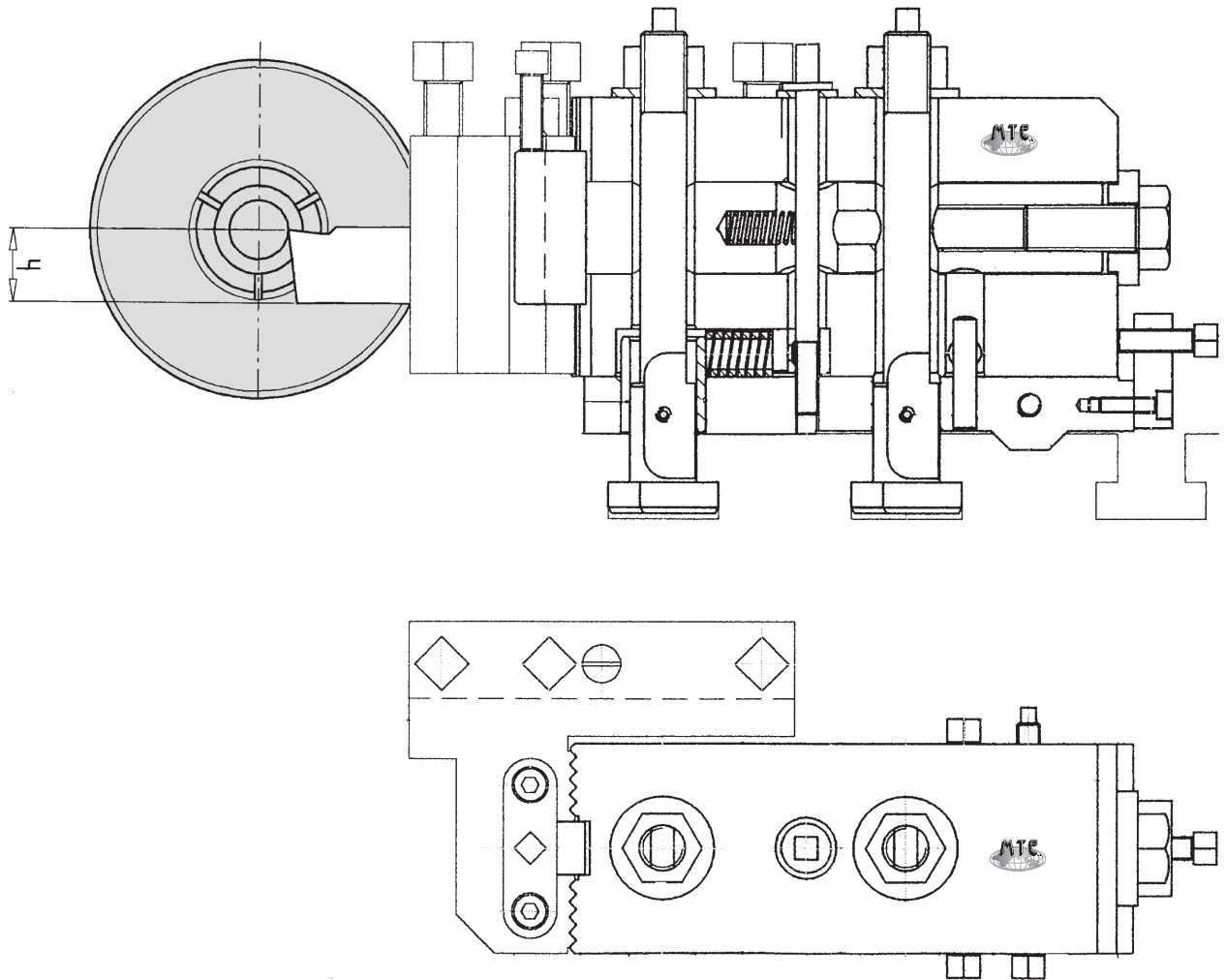


TABELLA PAGINA SEGUENTE

TABLE NEXT PAGE

AXIAL/RADIAL EINSTELLBARER WERKZEUGHALTER  
MIT SEITENKLEMMUNG

D

PORTAUTENSILE MODULARE CON REGOLAZIONE ASSIALE RADIALE  
PORTAUTENSILI A BARRETTA

I

MODULAR TOOLHOLDER WITH AXIAL/RADIAL ADJUSTMENT BOX ANGLE-PLATE,  
BAR-TYPE TOOLHOLDER

GB/USA

PORTE-OUTIL MODULAIRE A REGLAGE AXIAL RADIAL  
PORTE-OUTIL A BARRE

F

PORTAUTIL MODULAR CON REGULACION AXIAL RADIAL  
PORTAUTILS CON BARRA

S

**A RICHIESTA ALTRE ATTREZZATURE/FURTHER EQUIPMENTS ON REQUEST**

| ARTICOLO<br>ARTICLE | MACCHINA<br>MACHINE | PRISMATICO L<br>TOOL L | UTENSILE b x h<br>TOOL b x h |
|---------------------|---------------------|------------------------|------------------------------|
| <b>WICKMAN</b>      |                     |                        |                              |
| 049.10.00           | 5/8"                | 24.5                   | 16x16-20x20                  |
| 049.17.00           | 7/8" - 5 M          | 24.15-28-40-47.8       | 16x16-20x20-25x25            |
| 049.19.00           | 1" 3/4 - 5 M        | 24.15-28-40-47.8       | 16x16-20x20-25x25            |
| 049.20.00           | 1"                  | 24.15-28-40-47.8       | 16x16-20x20-25x25            |
| 049.30.00           | 1" 3/4-3/8          | 24.15-28-40-47.8-50    | 16x16-20x20-25x25            |
| 049.38.00           | 1" 3/8 - 5 M        | 24.15-28-40-47.8       | 16x16-20x20-25x25            |
| 049.40.00           | 2" 1/4              | 24.15-28-40-47.8-50    | 16x16-20x20-25x25            |
| 049.41.00           | 2" 5/8              | 24.15-28-40-47.8-50    | 16x16-20x20-25x25            |
| 049.50.00           | 3" 1/2              | 24.15-28-40-47.8-50    | 16x16-20x20-25x25            |
| 049.58.00           | 3" 1/4              | 24.15-28-40-47.8-50    | 16x16-20x20-25x25            |

**GILDEMEISTER**

|           |                   |                     |                   |
|-----------|-------------------|---------------------|-------------------|
| 049.09.00 | AS 12             | 24.5                | 16x16-20x20       |
| 049.11.00 | AS 16 - GM 16     | 24.5                | 16x16-20x20       |
| 049.15.00 | AS 20-GS 20-GM 20 | 24.15-28            | 16x16-20x20       |
| 049.18.00 | AS 25             | 24.15-28-40-47.8    | 16x16-20x20-25x25 |
| 049.27.00 | AA 32             | 24.15-28-40-47.8    | 16x16-20x20-25x25 |
| 049.31.00 | AS 32             | 24.15-28-40-47.8    | 16x16-20x20-25x25 |
| 049.32.00 | AS 48             | 24.15-28-40-47.8    | 16x16-20x20-25x25 |
| 049.36.00 | AA 48             | 24.15-28-40-47.8    | 16x16-20x20-25x25 |
| 049.44.00 | AS 55-67          | 28-40-50            | 16x16-20x20-25x25 |
| 049.47.00 | GM 35             | 24.15-28-40-47.8    | 16x16-20x20-25x25 |
| 049.51.00 | AA 67             | 28-40-50            | 16x16-20x20-25x25 |
| 049.56.00 | GM 32             | 24.15-28-40-47.8    | 16x16-20x20-25x25 |
| 049.63.00 | AS 63             | 24.15-28-40-47.8-50 | 16x16-20x20-25x25 |
| 049.82.00 | AS 82             | 24.15-28-40-47.8-50 | 16x16-20x20-25x25 |
| 049.83.00 | AS 100            | 24.15-28-40-47.8-50 | 16x16-20x20-25x25 |

| ARTICOLO<br>ARTICLE | MACCHINA<br>MACHINE | PRISMATICO L<br>TOOL L | UTENSILE b x h<br>TOOL b x h |
|---------------------|---------------------|------------------------|------------------------------|
| <b>SCHÜTTE</b>      |                     |                        |                              |
| 049.08.00           | SF 13               | 24.5                   | 16x16-20x20                  |
| 049.21.00           | SE 16 - SF 20       | 24.15-28-40-47.8       | 16x16-20x20-25x25            |
| 049.22.00           | SE 25               | 24.15-28-40-47.8       | 16x16-20x20-25x25            |
| 049.23.00           | SF 40-42            | 24.15-28-40-47.8       | 16x16-20x20-25x25            |
| 049.33.00           | SD 25 - SD 32       | 24.15-28-40-47.8       | 16x16-20x20-25x25            |
| 049.42.00           | SD 50               | 28-40-50               | 16x16-20x20-25x25            |
| 049.43.00           | SD 63-80            | 28-40-50               | 16x16-20x20-25x25            |
| 049.46.00           | SF 26               | 24.15-28-40-47.8       | 16x16-20x20-25x25            |
| 049.48.00           | AD 40               | 24.15-28-40-47.8       | 16x16-20x20-25x25            |
| 049.49.00           | SF 51               | 24.15-28-40-47.8       | 16x16-20x20-25x25            |
| 049.54.00           | SF 67               | 24.15-28-40-47.8       | 16x16-20x20-25x25            |
| 049.55.00           | SF 26 L             | 24.15-28-40-47.8       | 16x16-20x20-25x25            |
| 049.81.00           | SF 81 L             | 24.15-28-40-47.8       | 16x16-20x20-25x25            |

**MORI SAY - EUROTURN**

|           |             |                  |                   |
|-----------|-------------|------------------|-------------------|
| 049.14.00 | 6/20        | 24.5-28          | 16x16-20x20       |
| 049.24.00 | 6/25 - 6/32 | 24.15-28-40-47.8 | 16x16-20x20-25x25 |
| 049.28.00 | 6/42        | 24.15-28-40-47.8 | 16x16-20x20-25x25 |
| 049.53.00 | 8/32        | 24.15-28-40-47.8 | 16x16-20x20-25x25 |
| 049.67.00 | 8/42        | 24.15-28-40-47.8 | 16x16-20x20-25x25 |

**INDEX**

|           |       |                  |                   |
|-----------|-------|------------------|-------------------|
| 049.13.00 | MS 25 | 28               | 16x16-20x20       |
| 049.34.00 | KS 25 | 24.15-28-40-47.8 | 16x16-20x20-25x25 |
| 049.35.00 | KS 42 | 24.15-28-40-47.8 | 16x16-20x20-25x25 |
| 049.60.00 | KS 18 | 24.15-28-40-47.8 | 16x16-20x20-25x25 |
| 049.61.00 | KS 32 | 24.15-28-40-47.8 | 16x16-20x20-25x25 |
| 049.62.00 | KS 50 | 24.15-28-40-47.8 | 16x16-20x20-25x25 |

**PITTLER**

|           |                   |                  |                   |
|-----------|-------------------|------------------|-------------------|
| 049.25.00 | PRB 8/25          | 24.15-28-40-47.8 | 16x16-20x20-25x25 |
| 049.26.00 | PRB 8/32 - PRC 32 | 24.15-28-40-47.8 | 16x16-20x20-25x25 |
| 049.37.00 | DAM 6/50          | 24.15-28-40-47.8 | 16x16-20x20-25x25 |
| 049.39.00 | DAM 8/32          | 24.15-28-40-47.8 | 16x16-20x20-25x25 |
| 049.45.00 | PRB 6/50-PRC 6/50 | 24.15-28-40-47.8 | 16x16-20x20-25x25 |
| 049.65.00 | DAM 6/32          | 24.15-28-40-47.8 | 16x16-20x20-25x25 |

**BSA**

|           |    |                  |                   |
|-----------|----|------------------|-------------------|
| 049.59.00 | 2" | 24.15-28-40-47.8 | 16x16-20x20-25x25 |
|-----------|----|------------------|-------------------|

**ACME GRIDLEY**

|           |              |                  |                   |
|-----------|--------------|------------------|-------------------|
| 049.57.00 | 1" 1/4 - 6 M | 24.15-28-40-47.8 | 16x16-20x20-25x25 |
|-----------|--------------|------------------|-------------------|