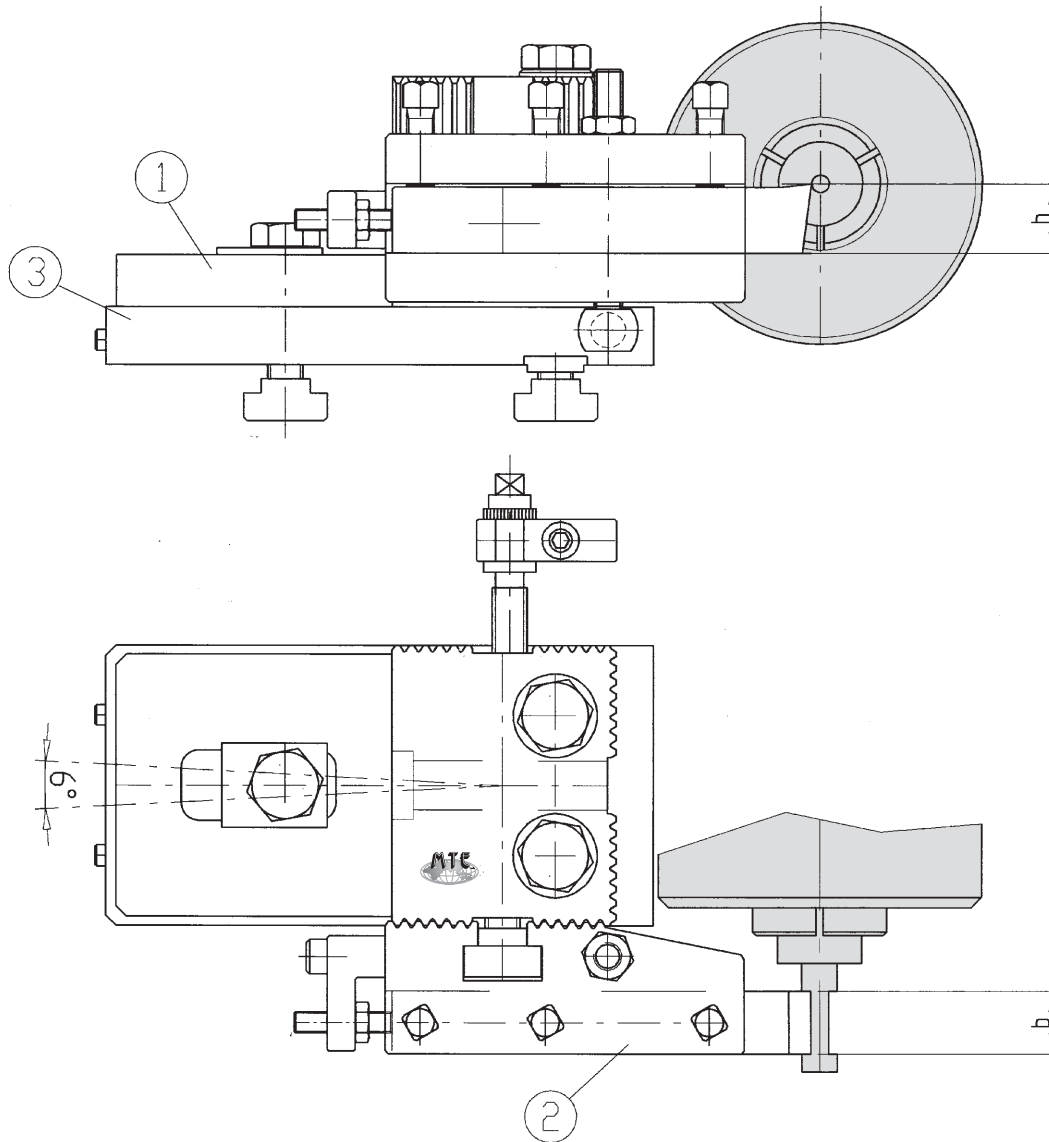


**CON PIASTRA
WITH PLATE**



A RICHIESTA ALTRE ATTREZZATURE/FURTHER EQUIPMENTS ON REQUEST

ARTICOLO ARTICLE	MACCHINA MACHINE	TORRETTA TURRET 1	CARRELLO SADDLE 2	PIASTRA PLATE 3
---------------------	---------------------	----------------------	----------------------	--------------------

WICKMAN

020.17.00	7/8" - 5 M	020.20.01	020.20.02	020.17.03
020.20.00	1"	020.20.01	020.20.02	020.20.03

GILDEMEISTER

020.18.00	AS 22 - AS 25	020.20.01	020.20.02	020.18.03
-----------	---------------	-----------	-----------	-----------

SCHÜTTE

020.21.00	SE 16 - SF 20	020.20.01	020.20.02	020.21.03
020.22.00	SE 25	020.20.01	020.20.02	020.22.03
020.55.00	SF 26 L	020.20.01	020.20.02	020.55.03

MORI SAY - EUROTURN

020.24.00	6/25 - 6/32	020.20.01	020.20.02	020.24.03
020.53.00	8/32	020.20.01	020.20.02	020.53.03
020.67.00	8/42	020.20.01	020.20.02	020.67.03

ARTICOLO ARTICLE	MACCHINA MACHINE	TORRETTA TURRET 1	CARRELLO SADDLE 2	PIASTRA PLATE 3
---------------------	---------------------	----------------------	----------------------	--------------------

INDEX

020.35.00	KS 42	020.20.01	020.20.02	020.35.03
020.60.00	KS 18	020.20.01	020.20.02	020.60.03

PITTLER

020.26.00	PRC 32/6 - PRB 32/8	020.20.01	020.20.02	020.26.03
-----------	---------------------	-----------	-----------	-----------

TOS

020.88.00	6/25A	020.20.01	020.20.02	020.88.03
-----------	-------	-----------	-----------	-----------

TOOL (bxh) 12x12 - 16x16 - 18x18